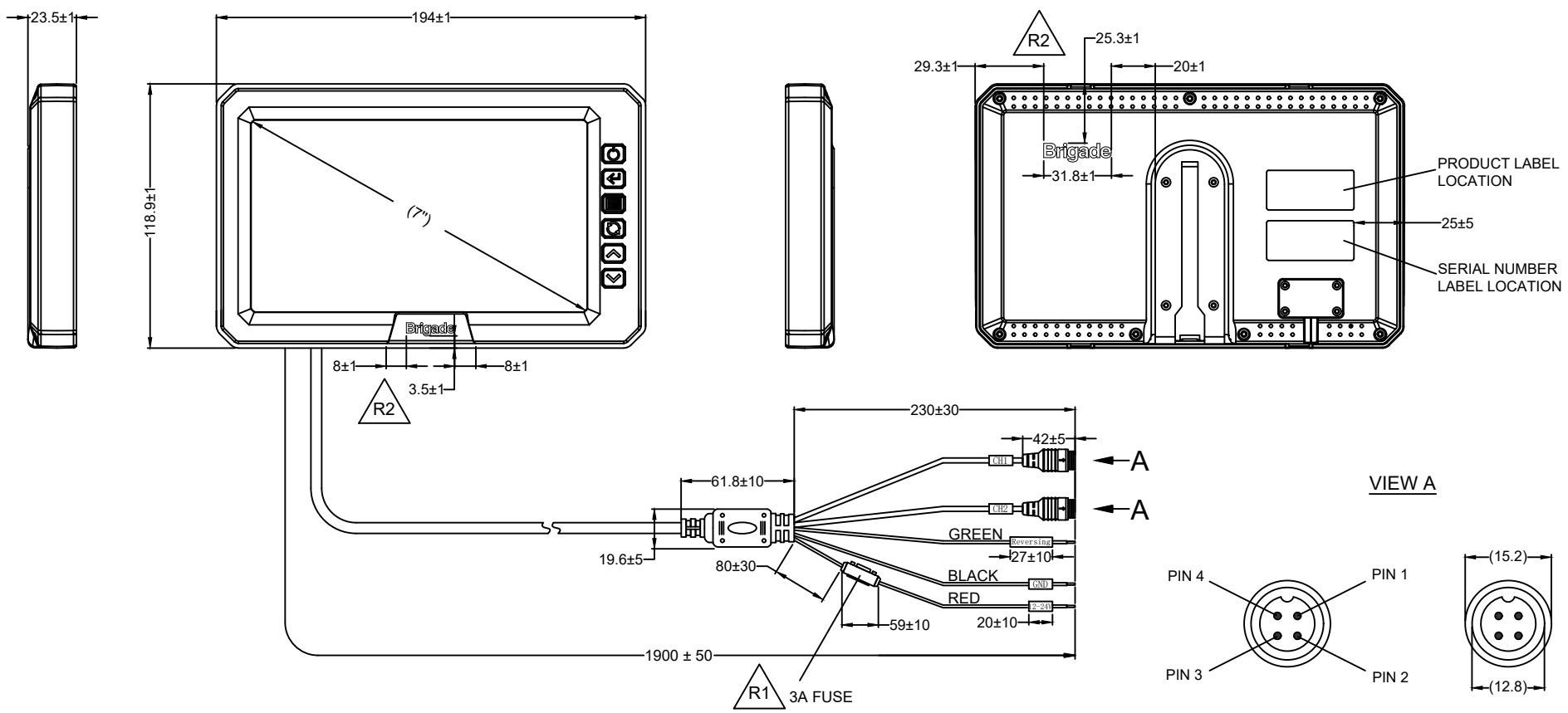


Revision Notes.				
R1 - FUSE UPDATED TO 3A FROM 2A				
APA: KEN WONG	Drawn:R.TIMMS	Checked:A.KING	Approved:J.N.BATOUR	Date: 2.12.2024
R2 - UPDATED HOUSING LOGO TO BRIGADE 2025 LOGO AND PUT INTO NEW FRAME				
APA: KEN WONG	Drawn:R.TIMMS	Checked:A.FOSTER	Approved:J.N.BATOUR	Date: 2.4.2025



VIEW A

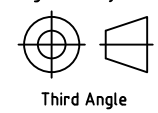
4 PIN MALE MATING FACE

PIN #	WIRE COLOUR	DESCRIPTION
1	RED	+12v
2	BLACK/SHIELD	GND
3	WHITE	AUDIO
4	YELLOW	VIDEO

NOTES:

- FOR LABEL AND PACKAGING DETAILS REFER TO MASTER BOM.
- PRODUCT LABELS AND SERIAL NUMBER LABELS TO BE ALIGNED.
- HOUSING COLOUR AND MATERIAL: BLACK, ABS. FINISH: EXTERIOR SURFACES FINISH Y S 9298.
- FOR SPECIFICATION DETAILS REFER TO PRODUCT SPECIFICATION (PS).
- FOR INSTALLATION DETAILS REFER TO INSTALLATION GUIDE.
- FUSE HOLDER MAY CHANGE ALTHOUGH FUNCTION AND RATING MUST REMAIN THE SAME.
- 'BRIGADE' EMBOSSED LOGO AND BUTTON SYMBOLS TO BE WHITE PAINT.
- FIRMWARE VERSION AMT_CAR_BIN_2AHD_MZY_1024X600_TFT_AHD_CHANGE REMOTE CONTROL _LOGO_20240105(0807) TO BE PRELOADED TO THE MAIN BOARD.
- THE KEYPAD BOARD DOES NOT HAVE FIRMWARE.
- ANY CUSTOMER MODIFICATION OF THIS PRODUCT CAUSING SUBSEQUENT FAILURE IS NOT A LIABILITY OF BRIGADE ELECTRONICS PLC.

PROPRIETARY NOTICE
 THIS DESIGN AND TECHNICAL INFORMATION APPEARING ON THIS DRAWING IS THE PROPERTY OF BRIGADE ELECTRONICS, AND IS DISCLOSED IN CONFIDENCE. IT IS NOT TO BE COPIED, REPRODUCED, REVEALED TO OR EXPROPRIATED BY OTHERS, EITHER IN WHOLE OR IN PART WITHOUT THE EXPRESS WRITTEN CONSENT OF BRIGADE ELECTRONICS.



Sheet 1 of 1	Assembly Pl Approval KEN WONG	Approved by J.N.BATOUR	Checked by A.FOSTER	Drawn by R.TIMMS
Customer Approval -	Angle of Projection Third Angle	Units mm	Scale N/A	Released 26/06/24
		Status APPROVED	VBV-6170M-M	
		Part No 8079	BE-004937-02-24	